

ES

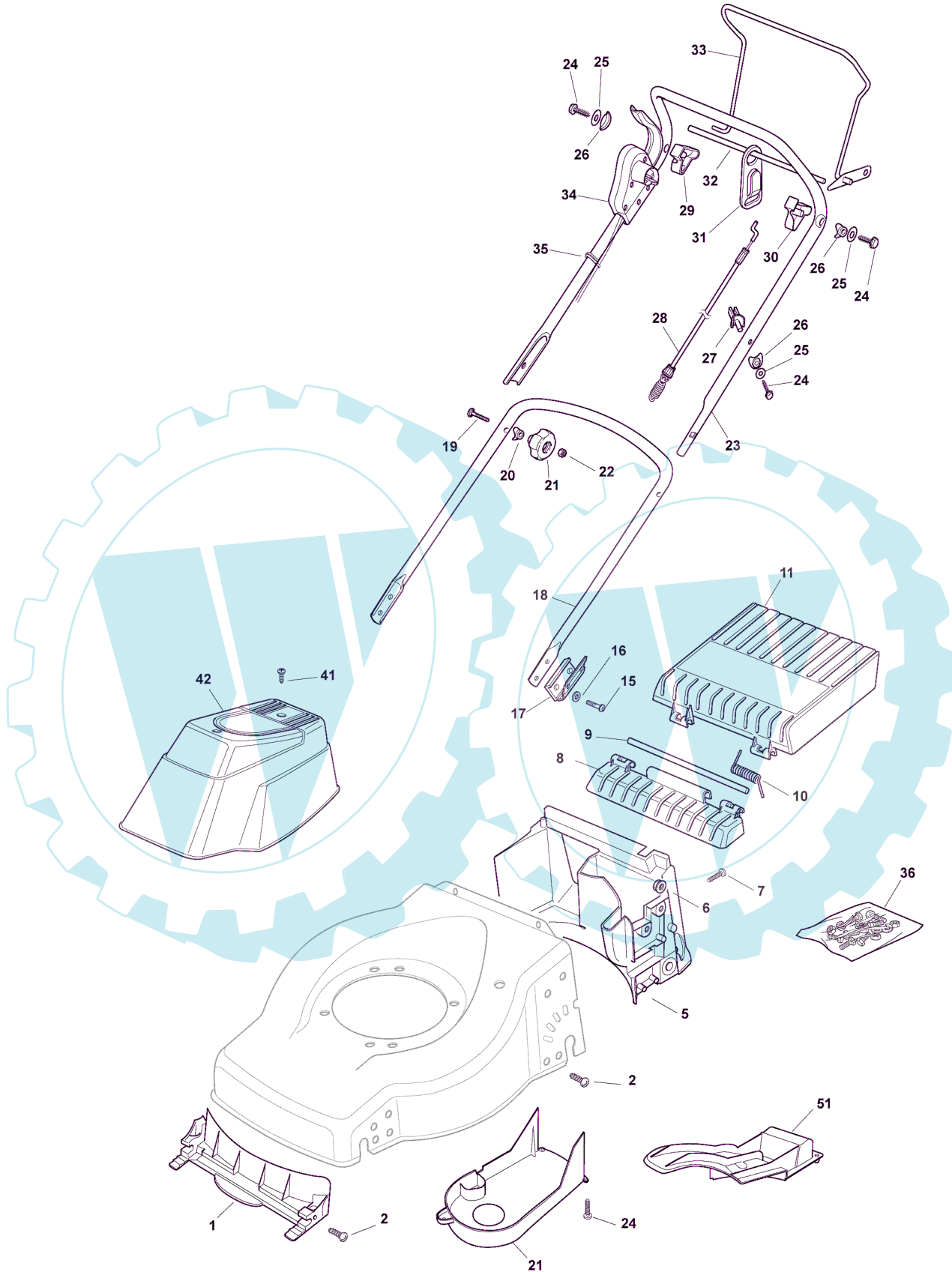
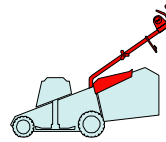
ESL

460 TR

2007

321.0

1 / 2



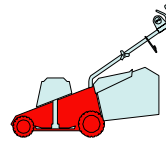
POS.	CODE	Q.TY	DESCRIZIONE	DESCRIPTION	DESCRIPTION	BESCHREIBUNG	REMARKS
1	22108271/0	1	CONVOGL. ANTERIORE	FRONT CONVEYOR ASSY	ENS. CONVOYEUR AVANT	HINTERLEITBLECHVORDER	
2	12728686/0	6	VITE	SCREW	VIS	SCHRAUBE	
5	22108272/2	1	CONVOGL. POSTERIORE	REAR CONVEYOR ASSY	ENS. CONVOYEUR POST.	HINTERLEITBLECHSATZ	
6	22131750/0	4	DADO	NUT	ECROU	MUTTER	

POS.	CODE	Q.TY	DESCRIZIONE	DESCRIPTION	DESCRIPTION	BESCHREIBUNG	REMARKS
7	12728686/0	2	VITE	SCREW	VIS	SCHRAUBE	
8	22785136/1	1	SUPPORTO	SUPPORT	SUPPORT	HALTER	
9	22517858/0	1	PERNO	PIN	PIVOT	BOLZEN	
10	22450431/0	1	MOLLA	SPRING	RESSORT	FEDER	
11	22600099/0	1	PARASASSI	STONE-GUARD	PARE-PIERRES	PRALLBLECH	
15	12760610/0	4	VITE	SCREW	VIS	SCHRAUBE	
16	22671651/0	4	ROSETTA	WASHER	RONDELLE	SCHEIBE	
17	22551579/0	2	PIASTRINA ISOLAMENTO	PLATE	PLAQUETTE	PLATTE	
18	81006600/0	1	MANICO, PARTE INF	HANDLE, LOWER PART	MANCHERON, PARTIE INFERIEURE	HOLM, UNTERTEIL	
19	12819201/0	2	VITE	SCREW	VIS	SCHRAUBE	
20	22680006/1	2	ROSETTA	WASHER	RONDELLE	SCHEIBE	
21	22060212/0	1	CARTER CINGHIA	PROTECTION, BELT	PROTECTION COURROIRE	SCHUTZ, RIEMEN	
-	22399804/0	2	MANOPOLINA	KNOB	POIGNÉE	GRIF	
22	12293200/0	2	DADO	NUT	ECROU	MUTTER	
23	81006603/0	1	MANICO, PARTE SUP	HANDLE, UPPER PART	MANCHERON, PARTIE SUPERIEURE	HOLM, OBERTEIL	
24	12728686/0	2	VITE	SCREW	VIS	SCHRAUBE	
-	12735103/0	3	VITE	SCREW	VIS	SCHRAUBE	
25	12523040/0	3	ROSETTA	WASHER	RONDELLE	SCHEIBE	
26	22680006/1	3	ROSETTA	WASHER	RONDELLE	SCHEIBE	
27	22806520/0	1	SUPPORTO REGISTRO	SUPPORT, ADJUSTER	SUPPORT ECROU REG.	HALTER, REGLER	
28	81000660/0	1	CAVO COMANDO TRAZIONE	CABLE, REAR DRIVE	CÂBLE, COMMANDE TRACTION	KABEL, ANTRIEB	
29	22806518/1	1	SUPPORTO DX	SUPPORT, R	SUPPORT D	HALTER, RECHTER	
30	22806519/1	1	SUPPORTO SX	SUPPORT, L	SUPPORT G	HALTER, LINKER	
31	22195101/4	1	FERMACAVO	FAIRLEAD	FIXATION CABLE	KABELBEFESTIGUNG	
32	22020320/0	1	AGGANCIO FERMACAVO	FAIRLEAD BEARING	SUPPORT SERRECABLE	KABELHALTER	
33	81001245/1	1	LEVA TRAZIONE	DRIVING LEVER	LEVIER TRACTION	ANTRIEBHEBEL	
34	-	1	SALVAMOTORE	DEAD HAND SWITCH	INT. MAIN MORTE	TOT MANSCHALTER	(SEE ENCLOSURE 4)
35	22192000/1	2	FASCETTA	CLAMP	COLLIER	BOWDENZUGHALTER	
36	81008649/0	2	DOTAZIONE VITERIA	OUTFIT, SCREWS	DOTATION VISSERIE	SATZ, SCHRAUBEN	
41	12728680/0	2	VITE	SCREW	VIS	SCHRAUBE	
42	22055045/1	1	CAPOTTINA	COVER	CAPOT	HAUBE	
51	22140226/0	1	DEFLETTORE	DEFLECTOR	DEFLECTEUR	DEFLEKTOR	

ES

ESL

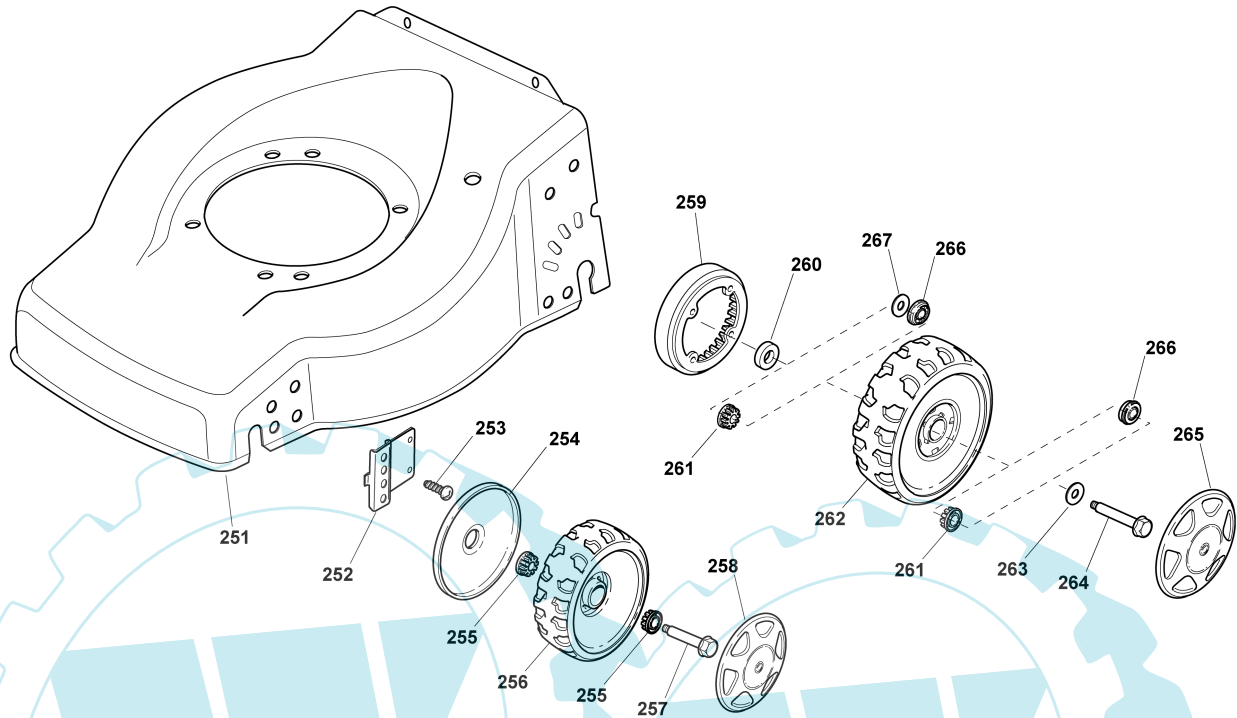
460 TR



2007

322.0

1 / 1

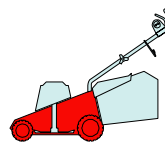


POS.	CODE	Q.TY	DESCRIZIONE	DESCRIPTION	DESCRIPTION	BESCHREIBUNG	REMARKS
251	81002652/0	1	CHASSIS ROSSO	DECK RED	CHÂSSIS ROUGE	GEHÄUSE ROT	
252	22551523/0	2	PIASTRA ANTERIORE	PLATE, FRONT	PLAQUE ANTERIEURE	PLATTE, VORDER	
253	12728686/0	4	VITE	SCREW	VIS	SCHRAUBE	
254	22600095/0	2	PROTEZIONE	PROTECTION	PROTECTION	SCHUTZ	
255	22034515/1	4	BUSSOLA	BUSH	DOUILLE	BUCHSE	
256	22686091/1	2	RUOTA Ø 165	WHEEL Ø 165	ROUE Ø 165	RAD Ø 165	
257	22524340/0	2	PERNO	PIN	PIVOT	BOLZEN	
258	-	2	SALVAMOTORE	DEAD HAND SWITCH	INT. MAIN MORTE	TOT MANSCHALTER	(SEE ENCLOSURE 1)
259	22120109/0	2	RUOTA DENTATA	SPROCKET	COURONNE	ZAHNKETTENRA	
260	22170622/0	2	DISTANZIALE	SPACER	ENTRETOISE	DISTANZRING	
261	22034508/0	4	BUSSOLA	BUSH	DOUILLE	BUCHSE	
262	22686093/0	2	RUOTA Ø 190	WHEEL Ø 190	ROUE Ø190	RAD Ø 190	
263	12523050/0	2	ROSETTA	WASHER	RONDELLE	SCHEIBE	
264	12735599/0	2	VITE	SCREW	VIS	SCHRAUBE	
265	-	2	SALVAMOTORE	DEAD HAND SWITCH	INT. MAIN MORTE	TOT MANSCHALTER	(SEE ENCLOSURE 2)
266	22122200/0	4	CUSCINETTO	BEARING	COUSSINET	LAGER	
267	22675100/0	2	ROSETTA	WASHER	RONDELLE	SCHEIBE	

ES

ESL

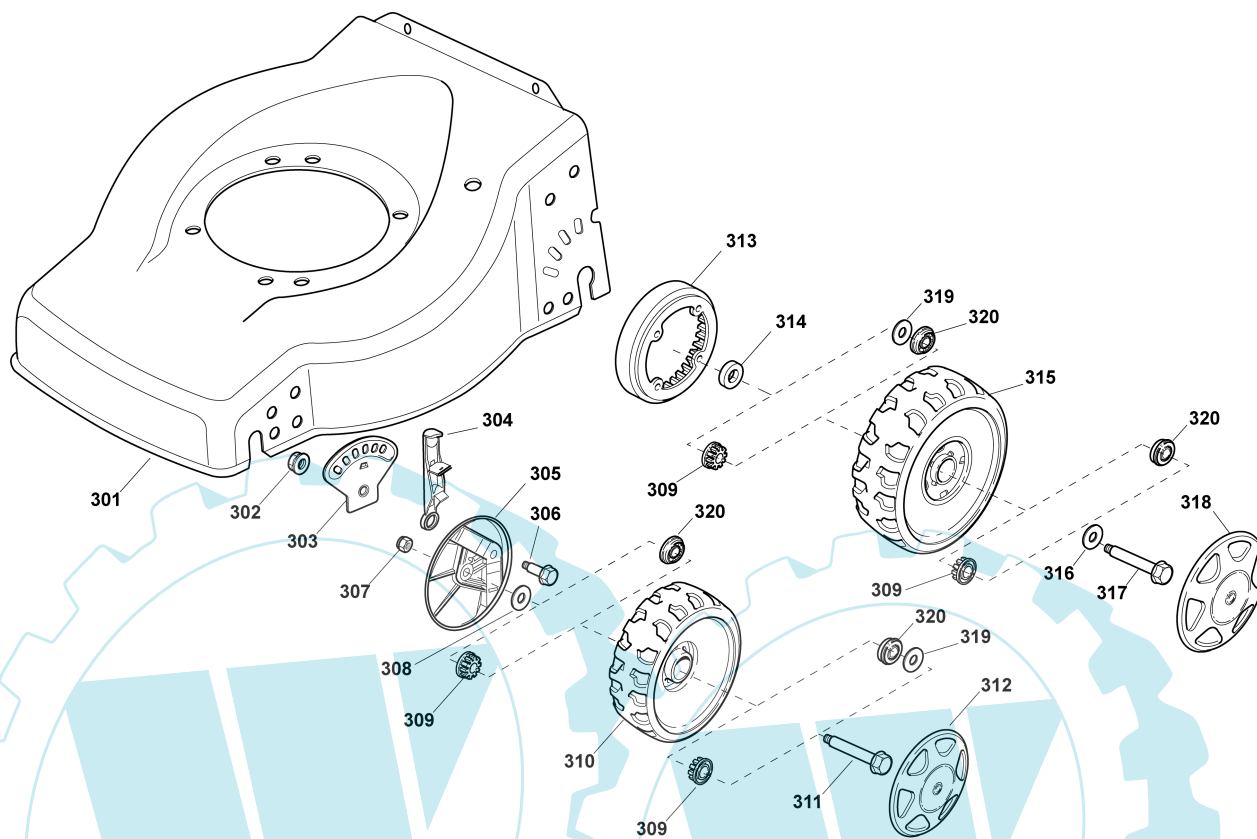
460 TR



2007

322a.0

1 / 1

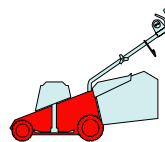


POS.	CODE	Q.TY	DESCRIZIONE	DESCRIPTION	DESCRIPTION	BESCHREIBUNG	REMARKS
301	81002538/0	1	CHASSIS ROSSO	DECK RED	CHASSIS ROUGE	GEHÄUSE ROT	
302	22131750/0	2	DADO	NUT	ECROU	MUTTER	
303	22735557/0	2	SETTORE DI REGOLAZIONE	SECTOR, HEIGHT ADJUSTMENT	SECTEUR REGLAGE	SEKTOR, HÖHEVERSTELLUNG	
304	81003306/0	2	LEVA REGOLAZIONE ALTEZZA	LEVER, HEIGHT ADJUSTMENT	LEVIER REGLAGE HAUTEUR	HEBEL, HÖNEVERSTELLUNG	
305	22600096/0	2	PROT. RUOTE	PROTECTION, WHEEL	PROTECTION ROUE	SCHUTZ, RÄDER	
306	22524324/0	2	PERNO	PIN	PIVOT	BOLZEN	
307	12155000/0	2	DADO	NUT	ECROU	MUTTER	
308	25670011/0	2	ROSETTA	WASHER	RONDELLE	SCHEIBE	
309	22034508/0	8	BUSSOLA	BUSH	DOUILLE	BUCHSE	
310	22686091/1	2	RUOTA Ø 165	WHEEL Ø 165	ROUE Ø 165	RAD Ø 165	
311	22524341/0	2	PERNO	PIN	PIVOT	BOLZEN	
312	---	2	COPRIMOZZO	HUB CAP	COUVRE-MOYEU	RADKAPPE	(SEE ENCLOSURE 1)
313	22120109/0	2	RUOTA DENTATA	SPROCKET	COURONNE	ZAHNKETTENRA	
314	22170622/0	2	DISTANZIALE	SPACER	ENTRETOISE	DISTANZRING	
315	22686093/0	2	RUOTA Ø 190	WHEEL Ø 190	ROUE Ø190	RAD Ø 190	
316	12523050/0	2	ROSETTA	WASHER	RONDELLE	SCHEIBE	
317	12735599/0	2	VITE	SCREW	VIS	SCHRAUBE	
318	---	2	COPRIMOZZO	HUB CAP	COUVRE-MOYEU	RADKAPPE	(SEE ENCLOSURE 2)
319	22675100/0	4	ROSETTA	WASHER	RONDELLE	SCHEIBE	
320	22122200/0	8	CUSCINETTO	BEARING	COUSSINET	LAGER	

ES

ESL

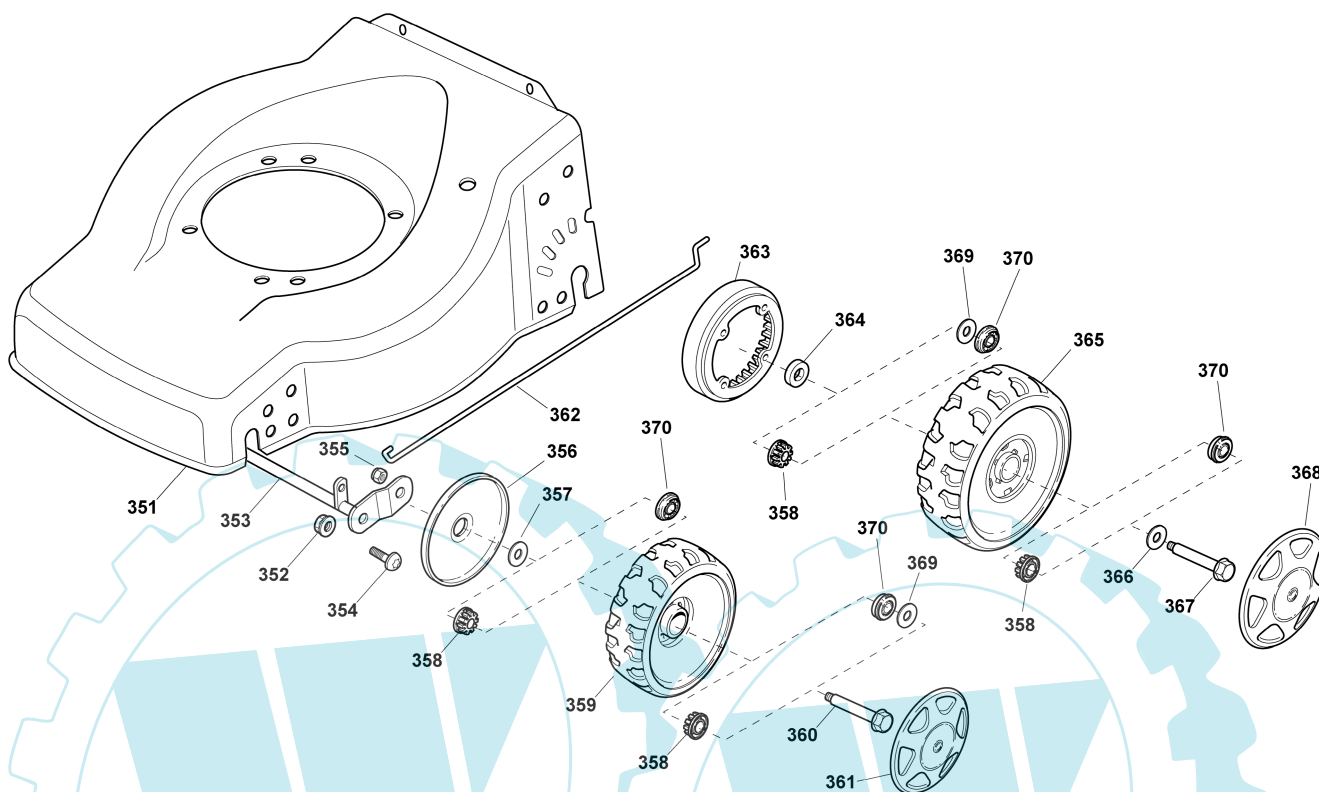
460 TR



2007

322b.0

1 / 1

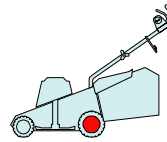


POS.	CODE	Q.TY	DESCRIZIONE	DESCRIPTION	DESCRIPTION	BESCHREIBUNG	REMARKS
351	81002538/0	1	CHASSIS ROSSO	DECK RED	CHASSIS ROUGE	GEHÄUSE ROT	
352	12155000/0	2	DADO	NUT	ECROU	MUTTER	
353	81000153/0	1	ASSE RUOTE ANTERIORI	AXLE, FRONT WHEELS	AXE ROUES AVANT	ACHSE, VORDERRAD	
354	12760600/0	2	VITE	SCREW	VIS	SCHRAUBE	
355	22131750/0	2	DADO	NUT	ECROU	MUTTER	
356	22600095/0	2	PROTEZIONE	PROTECTION	PROTECTION	SCHUTZ	
357	22671651/0	2	ROSETTA	WASHER	RONDELLE	SCHEIBE	
358	22034508/0	8	BUSSOLA	BUSH	DOUILLE	BUCHSE	
359	22686091/1	2	RUOTA Ø 165	WHEEL Ø 165	ROUE Ø 165	RAD Ø 165	
360	22524341/0	2	PERNO	PIN	PIVOT	BOLZEN	
361	-	2	SALVAMOTORE	DEAD HAND SWITCH	INT. MAIN MORTE	TOT MANSCHALTER	(SEE ENCLOSURE 1)
362	22033317/0	1	ASTA REGOLAZIONE	ADJUSTMENT ROD	TIGE REGLAGE	VERSTELLUNGSTANGE	
363	22120109/0	2	RUOTA DENTATA	SPROCKET	COURONNE	ZAHNKETTENRA	
364	22170622/0	2	DISTANZIALE	SPACER	ENTRETOISE	DISTANZRING	
365	22686093/0	2	RUOTA Ø 190	WHEEL Ø 190	ROUE Ø190	RAD Ø 190	
366	12523050/0	2	ROSETTA	WASHER	RONDELLE	SCHEIBE	
367	12735599/0	2	VITE	SCREW	VIS	SCHRAUBE	
368	-	2	SALVAMOTORE	DEAD HAND SWITCH	INT. MAIN MORTE	TOT MANSCHALTER	(SEE ENCLOSURE 2)
369	22675100/0	4	ROSETTA	WASHER	RONDELLE	SCHEIBE	
370	22122200/0	8	CUSCINETTO	BEARING	COUSSINET	LAGER	

ES

ESL

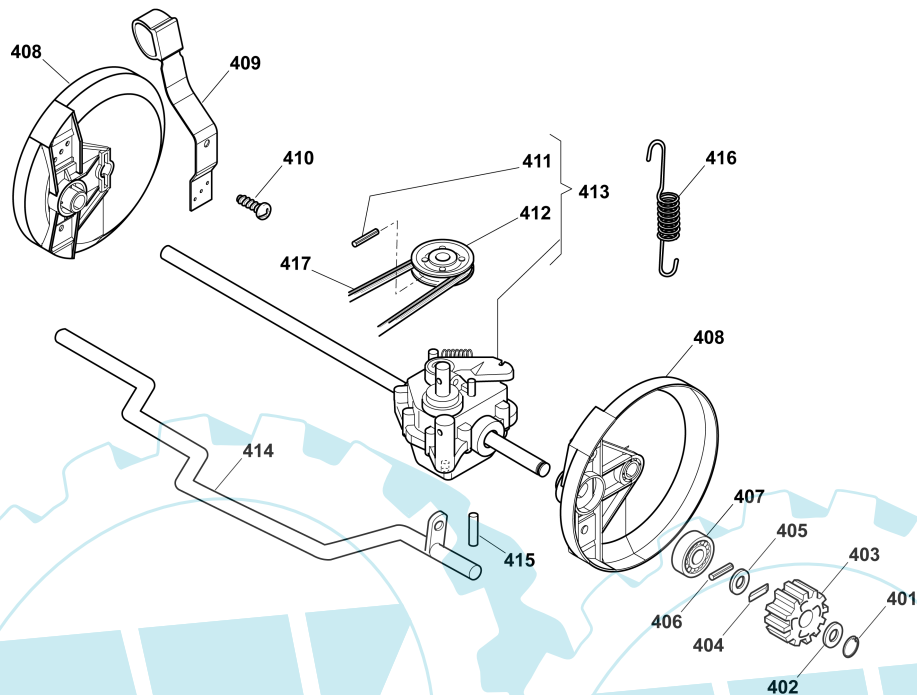
460 TR



2007

323.0

1 / 1

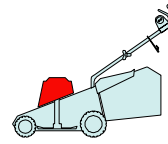


POS.	CODE	Q.TY	DESCRIZIONE	DESCRIPTION	DESCRIPTION	BESCHREIBUNG	REMARKS
401	12608520/0	2	SEEGER	SEEGER	SEEGER	SEEGER	
402	22160520/0	2	DISCO PARAPOLVERE	DUST COVER	PROTEGE-POUSSIÈRE	STAUBSCHUTTSCHIBE	
403	22570125/0	2	PIGNONE	PINION	PIGNON	RITZEL	
404	22076645/0	2	CHIAVE	KEY	CLEF	SCHLÜSSEL	
405	22160520/0	2	DISCO PARAPOLVERE	DUST COVER	PROTEGE-POUSSIÈRE	STAUBSCHUTTSCHIBE	
406	12622620/0	2	SPINA	PIN	GOUPILLE	STIFT	
407	22122202/0	2	CUSCINETTO	BEARING	COUSSINET	LAGER	
408	22600106/1	2	PROT. RUOTE	PROTECTION, WHEEL	PROTECTION ROUE	SCHÜTZ, RÄDER	
409	81003303/0	1	LEVA REGOLAZIONE ALTEZZA	LEVER, HEIGHT ADJUSTMENT	LEVIER REGLAGE HAUTEUR	HEBEL, HÖNEVERSTELLUNG	
410	12728689/0	2	VITE	SCREW	VIS	SCHRAUBE	
411	12713801/0	1	GRANO	DOWEL	GRAIN	STIFT	
412	22601904/0	1	PULEGGIA	PULLEY	POULIE	RIEMENSCHIBE	
413	81003093/0	1	GRUPPO TRAZIONE	GEAR BOX	GROUPE TRACTION	ANTRIEB	
414	22033393/0	1	ASSE RUOTE POSTERIORI	AXLE, REAR WHEELS	AXE ROUES ARRIERE	ACHSE, HINTERRAD	
415	22753001/0	2	SPINA	PIN	GOUPILLE	STIFT	
416	22450438/0	1	MOLLA	SPRING	RESSORT	FEDER	
417	35063750/0	1	CINGHIA	BELT	COURROIRE	RIEMEN	

ES

ESL

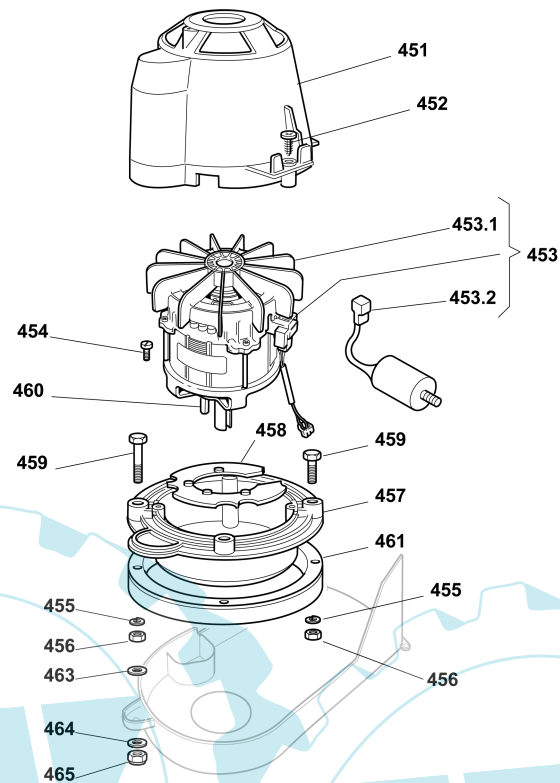
460 TR



2007

324.0

1 / 1

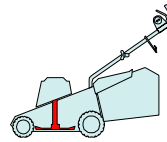


POS.	CODE	Q.TY	DESCRIZIONE	DESCRIPTION	DESCRIPTION	BESCHREIBUNG	REMARKS
451	22785210/0	1	SUPPORTO CAPOTTINA	SUPPORT, COVER	SUPPORT CAPOT	HALTER, HAUBE	
452	12728710/0	4	VITE	SCREW	VIS	SCHRAUBE	
453	18563641/0	1	MOTORE ATB	MOTOR ATB	MOTEUR ATB	MOTOR ATB	230V (1800W)
453.1	18740054/0	1	VENTOLA PER MOTORE ATB	FAN MOTOR ATB	VENTILATEUR MOTEUR ATB	LÜFTER MOTOR ATB	
453.2	18222039/0	1	CONDENSATORE 25 µF	CONDENSER 25 µF	CONDENSEUR 25 µF	KONDENSATOR 25 µF	
454	12735410/0	4	VITE	SCREW	VIS	SCHRAUBE	
455	12583500/0	4	GROWER	GROWER	GROWER	FEDERRING	
456	12293200/0	4	DADO	NUT	ECROU	MUTTER	
457	22207211/3	1	FLANGIA	FLANGE	BRIDE	FLANSCH	
458	22720360/1	1	SCHERMO VENTILAZIONE	VENTILATION SCREEN	ECRAN VENTILATION	LÜFTUNGSSCHIRM	
459	12691800/0	3	VITE	SCREW	VIS	SCHRAUBE	
460	12139440/0	1	LINGUETTA	FEATHER	CLAVETTE	KEIL	
461	22170960/1	1	DISTANZIALE	SPACER	ENTRETOISE	DISTANZRING	
462	12692000/0	1	VITE	SCREW	VIS	SCHRAUBE	
463	22671651/0	1	ROSETTA	WASHER	RONDELLE	SCHEIBE	
464	12521350/0	1	ROSETTA	WASHER	RONDELLE	SCHEIBE	
465	12155000/0	1	DADO	NUT	ECROU	MUTTER	

ES

ESL

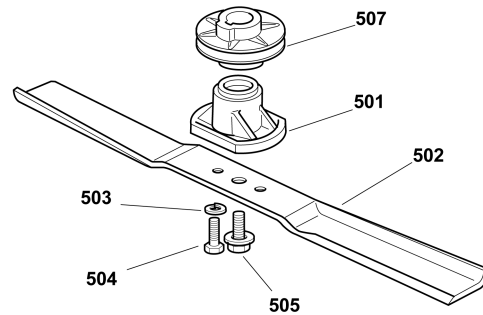
460 TR



2007

325.0

1 / 1



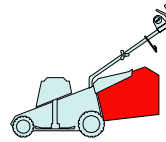
POS.	CODE	Q.TY	DESCRIZIONE	DESCRIPTION	DESCRIPTION	BESCHREIBUNG	REMARKS
501	22463186/2	1	MOZZO	HUB	MOYEU	HALTER	
502	81004365/3	1	COLTELLO	BLADE	LAME	MESSER	
503	12583500/0	2	GROWER	GROWER	GROWER	FEDERRING	
504	12793101/0	2	VITE	SCREW	VIS	SCHRAUBE	
505	81004352/0	1	VITE	SCREW	VIS	SCHRAUBE	
507	22601911/1	1	PULEGGIA	PULLEY	POULIE	RIEMENSCHIBE	



ES

ESL

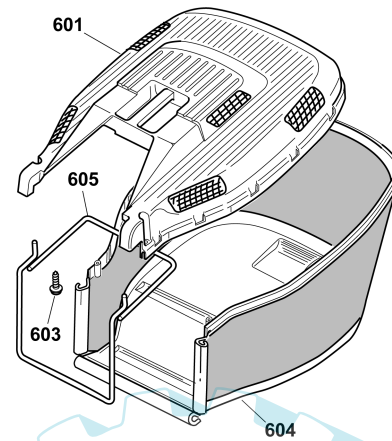
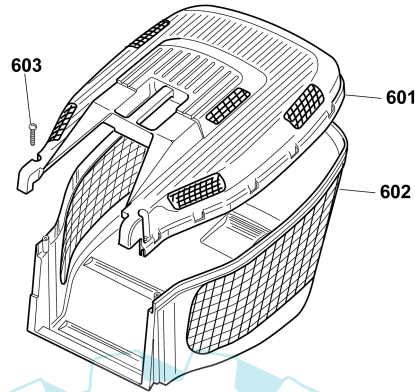
460 TR



2007

326.0

1 / 1



POS.	CODE	Q.TY	DESRIZIONE	DESCRIPTION	DESCRIPTION	BESCHREIBUNG	REMARKS
601	22486122/0	1	SACCO, PARTE SUP	GRASS-BOX, UPPER PART	SAC, PARTIE SUPERIEURE	KORB, OBERTEIL	
602	22486128/0	1	SACCO, PARTE INF	GRASS-BOX, LOWER PART	SAC, PARTIE INFERIEURE	KORB, UNTERTEIL	
603	12728686/0	2	VITE	SCREW	VIS	SCHRAUBE	
604	81002229/0	1	SACCO, TELA	BOX, FABRIC	SAC, TOILE	SACK, TUCK	
605	81006419/0	1	TELAIO SACCO	CHASSIS BOX	CHASSIS BAC	RAHMEN SACK	